


# PRODUCT SHEET

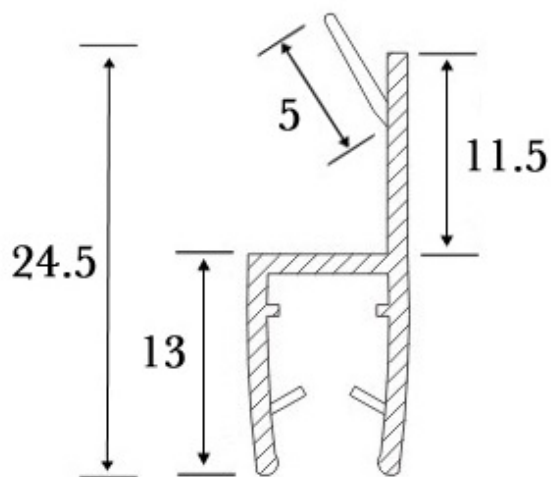
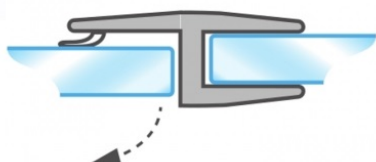
**Description:**

PVC Seal Glass To Glass 180DG, S-5706, 4,0 Mtr, F/12mm Glas

**Item number:**

15.22.288-9

Units	Box	Carton	HS Code	Barcode
Pcs.	1	50	3925901000	
				5704866493376



**SISO A/S**

Mileparken 11  
DK-2740 Skovlunde  
Denmark  
VAT: DK 24786013

Phone +45 45 830 900

[www.siso.dk](http://www.siso.dk)  
[siso@siso.dk](mailto:siso@siso.dk)

Danske Bank  
Nytorv Branch  
Copenhagen  
SWIFT: DABADKKK

Account no.  
4180 3112 112936  
IBAN Account  
DK7230003112112936